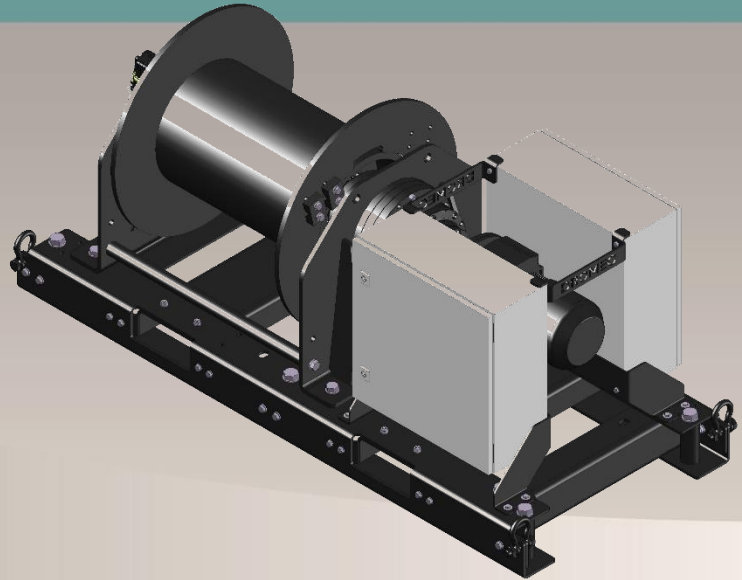


## TECHNICAL SPECIFICATIONS TEW6000

### DIMENSIONS (mm)

Length	2300
Width	750
Height	835
Drum diameter	406
Flange diameter	650
Drum length	700



The TEW6000 is a compact electric hoisting winch mounted on a solid frame equipped with hoisting points and fork pockets. This winch is provided with relay control, overload and temperature protection as standard. If desired, frequency drive control can also be supplied. The adjustable stainless steel pressure roller ensures that the (wire) rope is wound tighter around the drum. The WLL is 7.500 kg when used as a pulling winch.

Many possibilities can be discussed, including tailor-made solutions.

### SPECIFICATIONS

Working load 1st layer	7500 kg
Working load 4th layer	6000 kg
Hauling speed 1st layer	8,4 m/min
Hauling speed 4th layer	10,8 m/min
Wire rope diameter	20 mm
Rope storage on 4 layers	200 m
Motor power	10 kW
Motor protection class	IP56
Brake	Fail safe brake
Supply voltage	3-Ph 400V 32A 50Hz
Length of safety windings	4,0 m
Weight without rope / options	Ca. 950 kg

