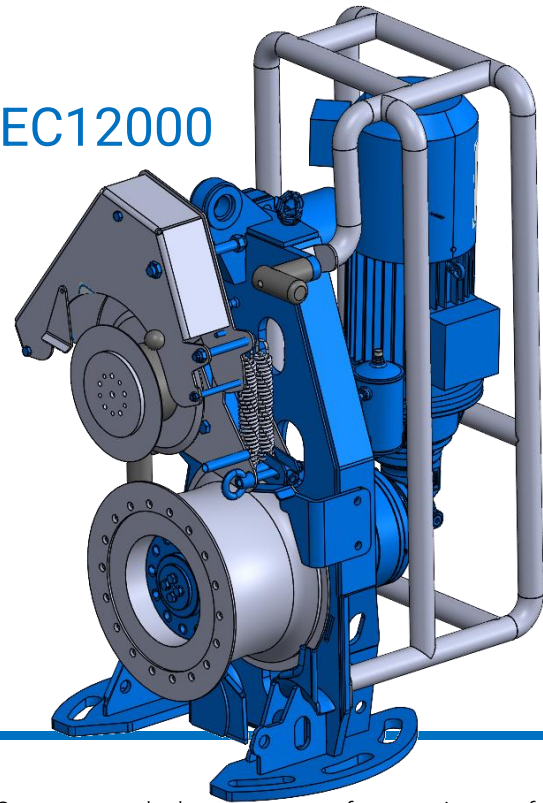


TECHNICAL SPECIFICATIONS TEC12000

DIMENSIONS (mm)

Length	730
Width	846
Height	1340
Capstan head diameter	351
Drum length	240
Flange diameter	450



The TEC12000 is an electrically powered capstan pull-in winch with frequency control and automatic cable feeder to minimize human interference. Remote control with readout of load, length and speed measurement and datalogging. Adjustable tension force 100 – 12000 kg with overload protection.

Capstan neck has grooves for maximum friction on Dyneema ropes. Its wired remote control has a 10-metre-long cable for electrical supply, an emergency stop. The WLL is 12.000 kg when used as a pulling winch. Many possibilities can be discussed, including tailor-made solutions.

SPECIFICATIONS

Working load 1st layer	10.000 kg (5 m/min)
Peak load 1st layer	12.000 kg
Hauling speed	4 - 10 m/min
Wire rope diameter	18 – 26mm
Motor power	9,2 kW S1
Motor protection class	IP56
Brake	Fail safe brake
Power supply	3-Ph 380-480V 50-60Hz 32A
Weight capstan winch	500 kg
Weight control box	100 kg
Weight control CT puller	75 kg

