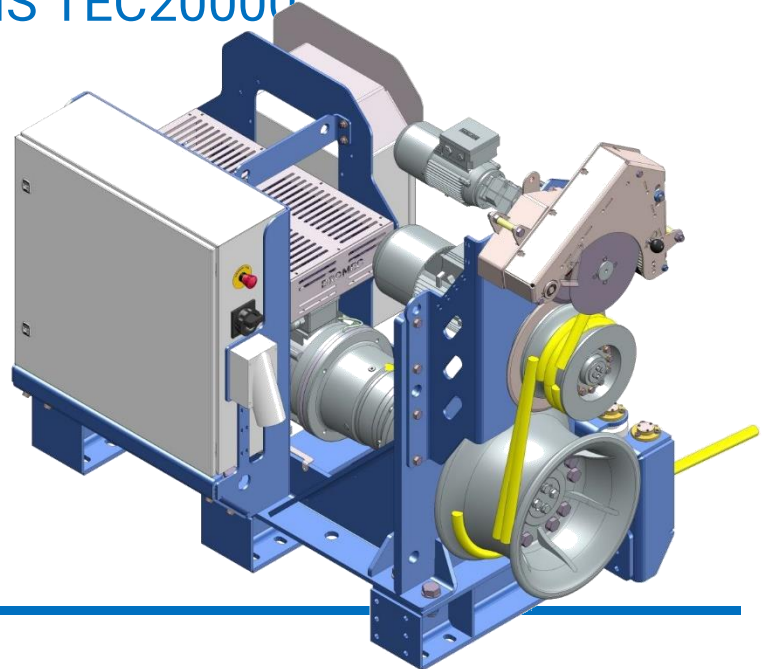


TECHNICAL SPECIFICATIONS TEC20000

DIMENSIONS (mm)

Length	2016
Width	1040
Height	1760
Capstan head diameter	400
Drum length	315
Flange diameter	530



The TEC20000 is an electrically powered capstan pull-in winch with frequency control and automatic cable feeder to minimize human interference. Standard with remote control with readout of load, length and speed measurement and datalogging. Adjustable tension force 100 – 20000 kg with overload protection.

Capstan unit has a two step pulling multiplier for maximum friction on Dyneema ropes. Its wired remote control has a 10-metre-long cable for electrical supply, an emergency stop. The WLL is 20.000 kg when used as a pulling winch. Many possibilities can be discussed, including tailor-made solutions.

SPECIFICATIONS

Working load 1st layer	15.000 kg (6 m/min)
Peak load 1st layer	20.000 kg
Hauling speed	0 - 10 m/min
Wire rope diameter	24 – 32mm
Motor power	18,5 kW S1
Motor protection class	IP56
Brake	Fail safe brake
Power supply	3-Ph 380-480V 50-60Hz 32-63A
Weight capstan winch	1.450 kg

