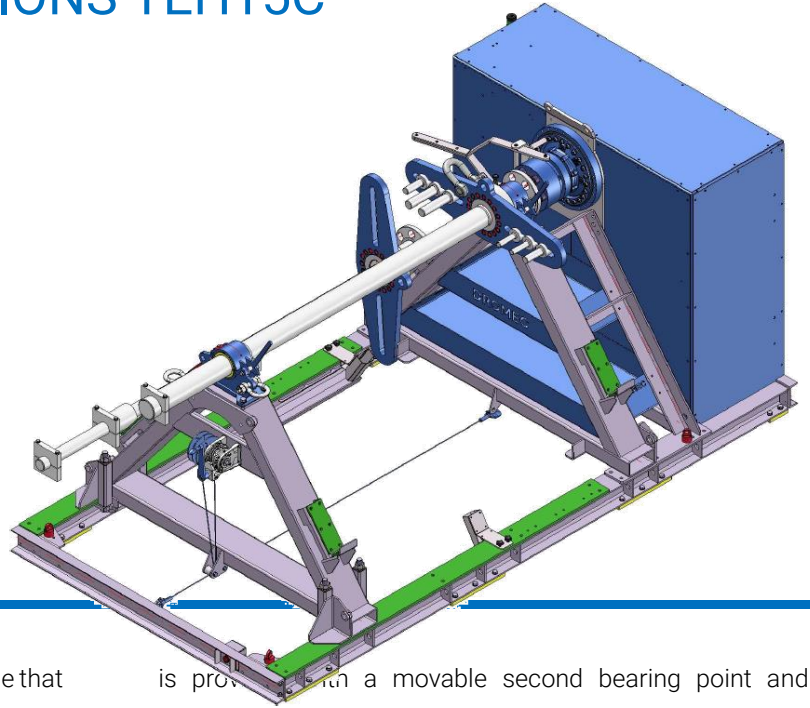


## TECHNICAL SPECIFICATIONS TEH15C

### DIMENSIONS (mm)

Length	4000
Width	2000
Height	1800
Flange diameter	Max 2500 (3000)
Drum length	Max 2000
Shaft diameters	70 and 120

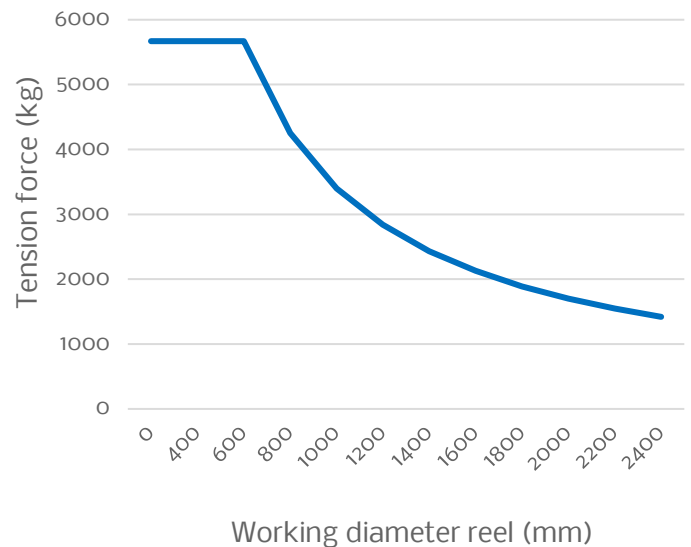


The TEH15C is an electric (wire) rope spooling machine that also allows winding with constant tension. This system is particularly suitable for interior use as it is electrically powered. The standard model has small overall dimensions. Provided with fork pockets and lifting points allow for easy movement of the system. This machine is easy to operate using either the remote control. The system

is provided with a movable second bearing point and bearings with quick-release mechanisms. The TEH15C is equipped with a layer detection system. This system continuously measures the working diameter, which is calculated in the control system. Through this the pre-tension will be the same on each layer.

### SPECIFICATIONS

Torque	20000 Nm
Revolutions	0-12 Rpm
Maximal reel weight	15 (30)tonnes
Power	11 Kw
Gearbox	Planetary
Brake	Fail safe brake
Power supply	3-phase 380-480V 16-32A 50-60Hz
Own weight	Ca. 2400 kg



The delivered product might differ from the product and specifications as shown on this page. Misprints and typos may occur on this page. V21-02