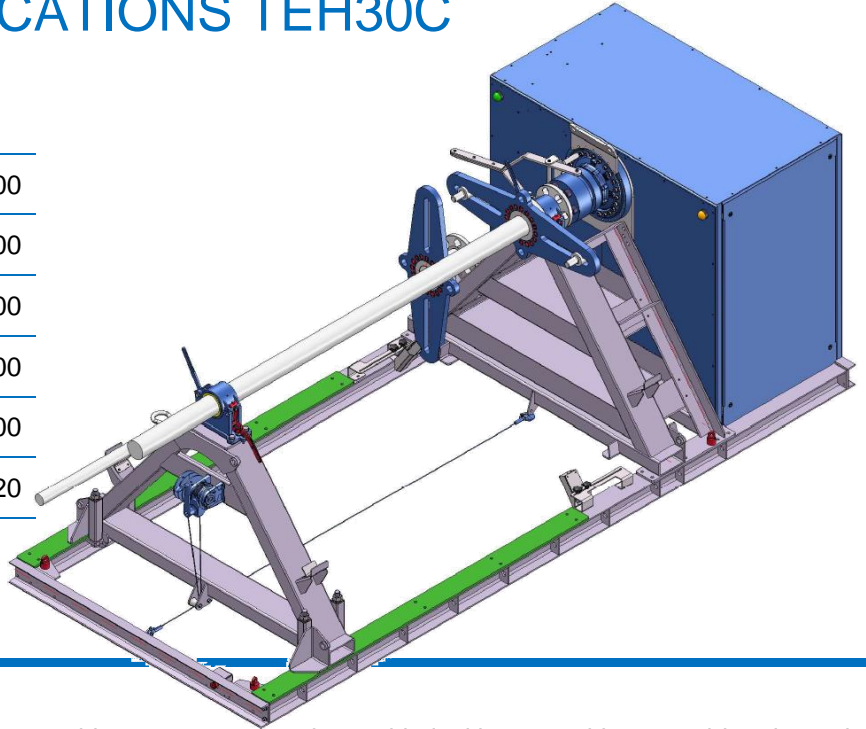


TECHNICAL SPECIFICATIONS TEH30C

DIMENSIONS (mm)

Length	4700
Width	2000
Height	1800
Flange diameter	Max 2500
Drum length	Max 2500
Shaft diameters	70 and 120

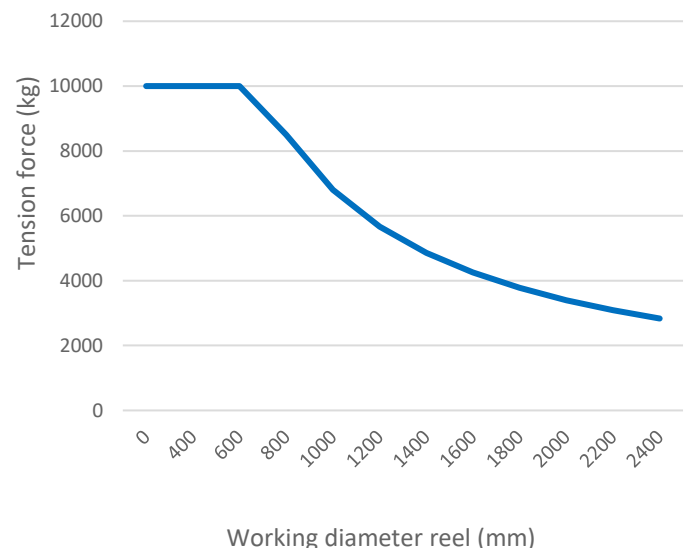


The TEH30C is an electric (wire) rope spooling machine that also allows winding with constant tension. This system is particularly suitable for interior use as it is electrically powered. The standard model has small overall dimensions. Provided with fork pockets and lifting points allow for easy movement of the system. This machine is easy to operate using either the remote control. The

system is provided with a movable second bearing point and bearings with quick-release mechanisms. The TEH30C is equipped with a layer detection system. This system continuously measures the working diameter, which is calculated in the control system. Through this the pre-tension will be the same on each layer.

SPECIFICATIONS

Torque	34000 Nm
Revolutions	0-26 Rpm
Maximal reel weight	30 tonnes
Power	30 Kw
Gearbox	Planetary
Brake	Fail safe brake
Power supply	3-phase 380-480V 16-63A 50-60Hz
Own weight	Ca. 2900 kg



The delivered product might differ from the product and specifications as shown on this page. Misprints and typos may occur on this page. V21-01