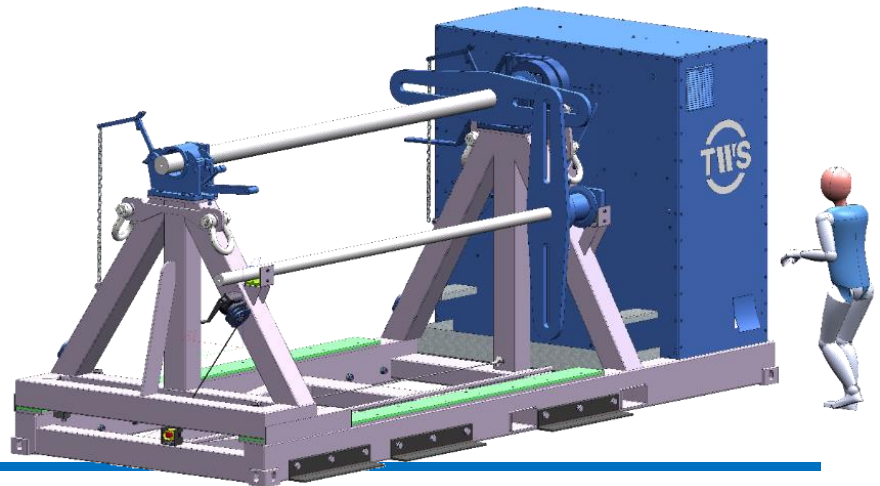


## TECHNICAL SPECIFICATIONS TEH60L

### DIMENSIONS (mm)

Length	6050
Width	2430
Height	2580
Flange diameter	Max 4000
Drum lenght	Max 3700
Shaft diameters	95, 140 and 200

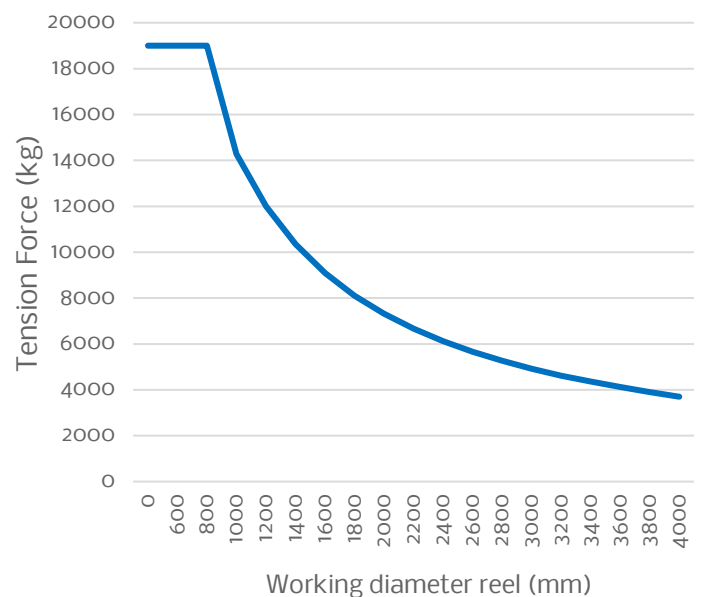


The TEH60L is an electric (wire) rope spooling machine with automatic constant tension function. This system is easy to transport and can therefore be deployed anywhere. The standard model has the same dimensions as a 20ft container with twist locks at the corners. Fork pockets and lifting points allow for easy movement of the system. This machine is easy to operate using the remote control with accurate readout

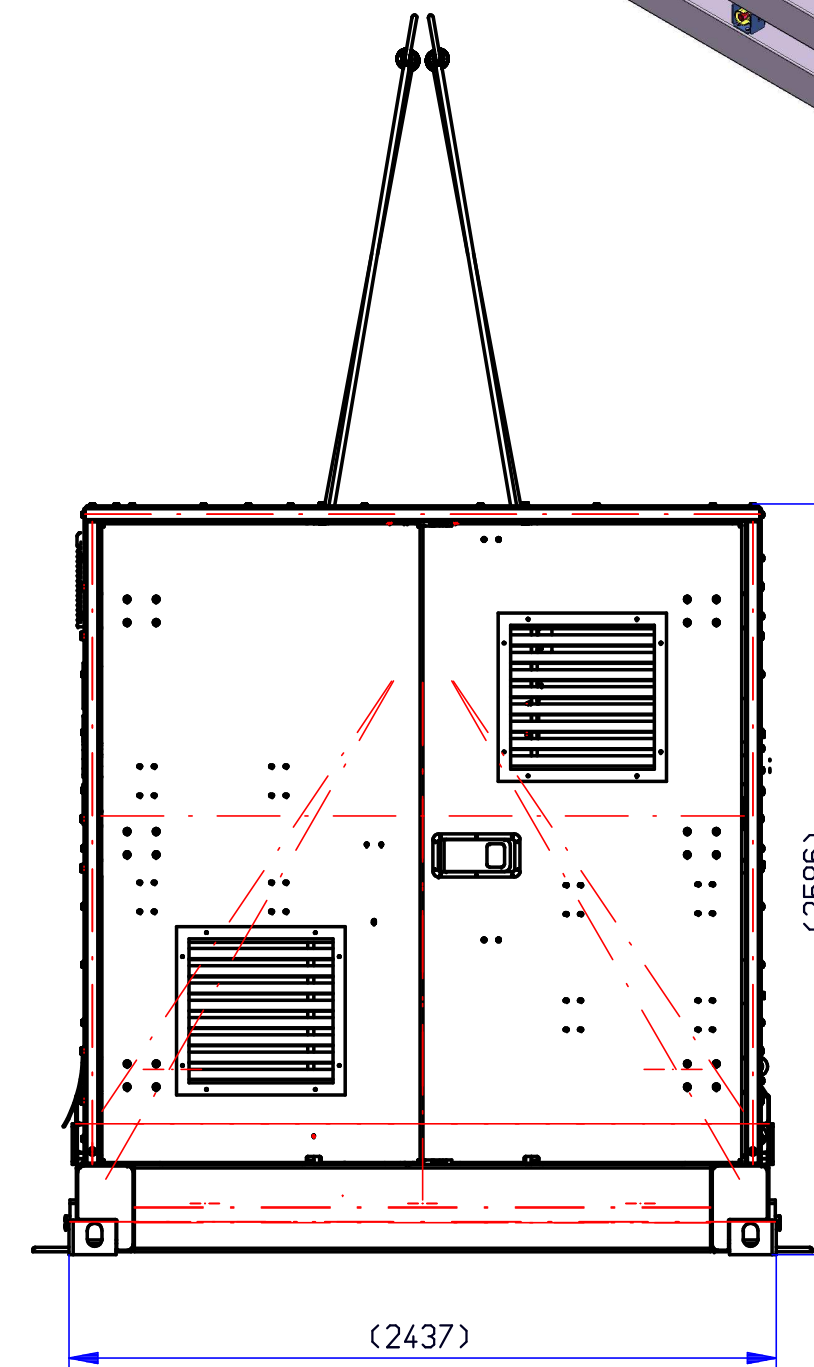
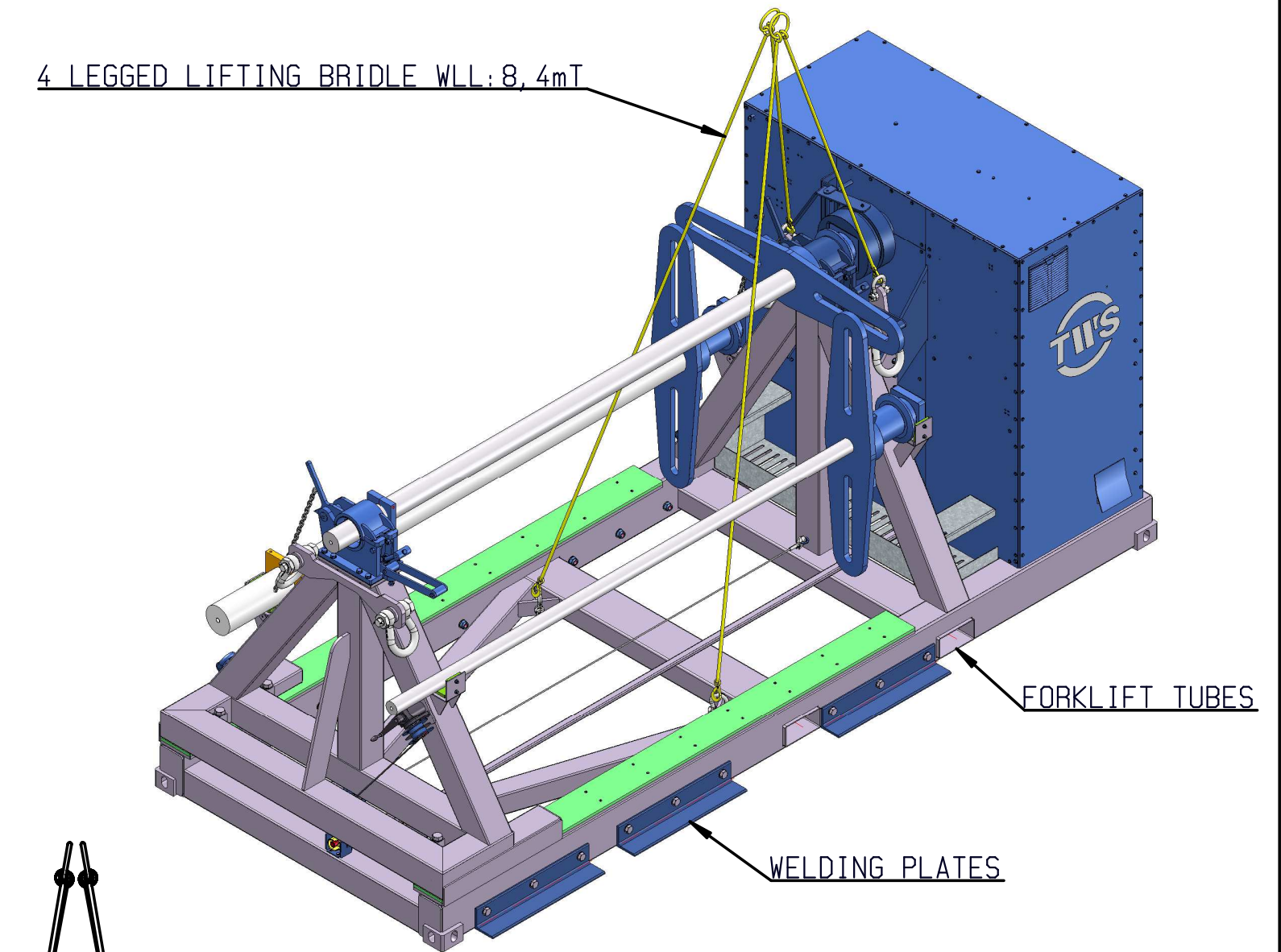
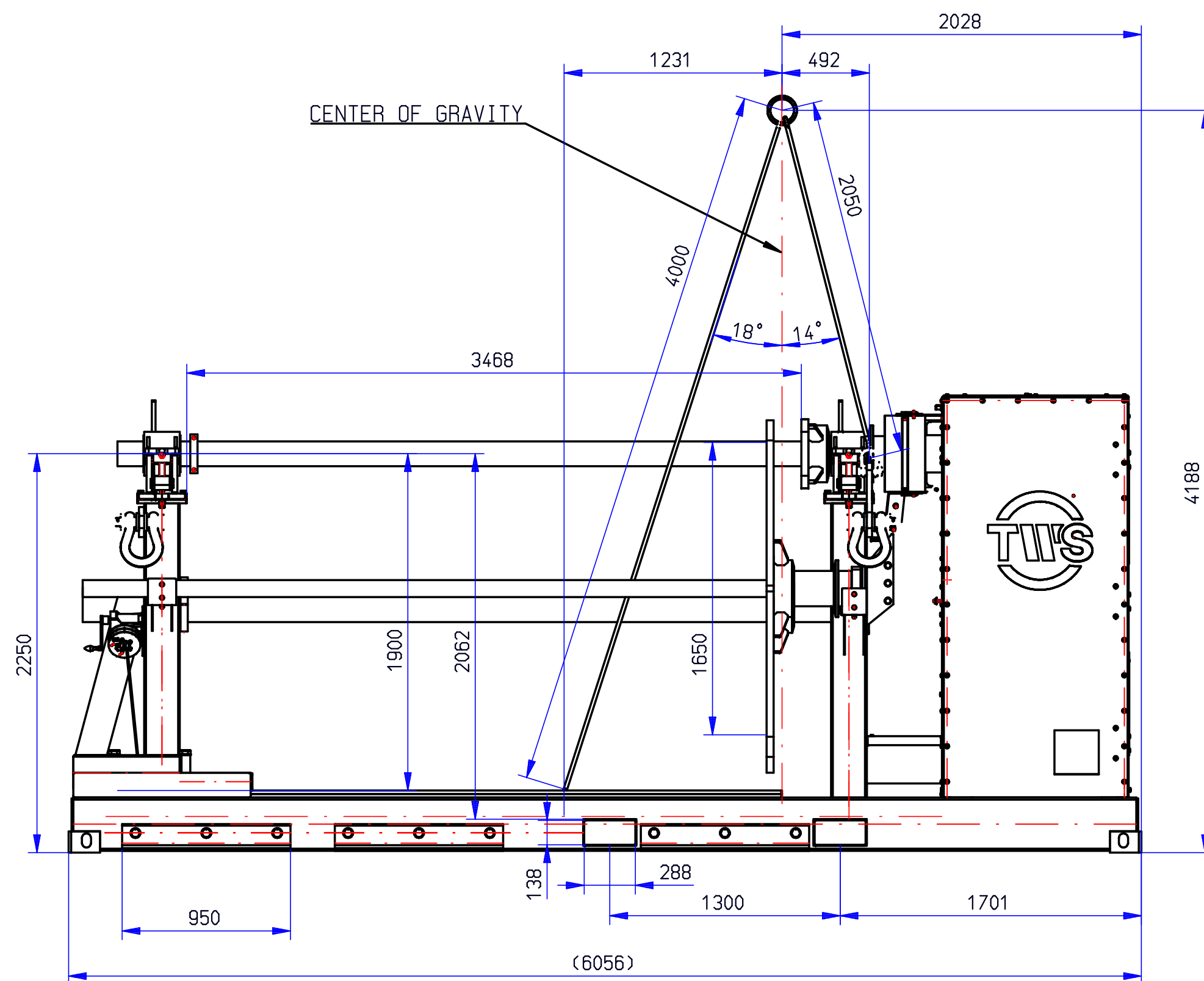
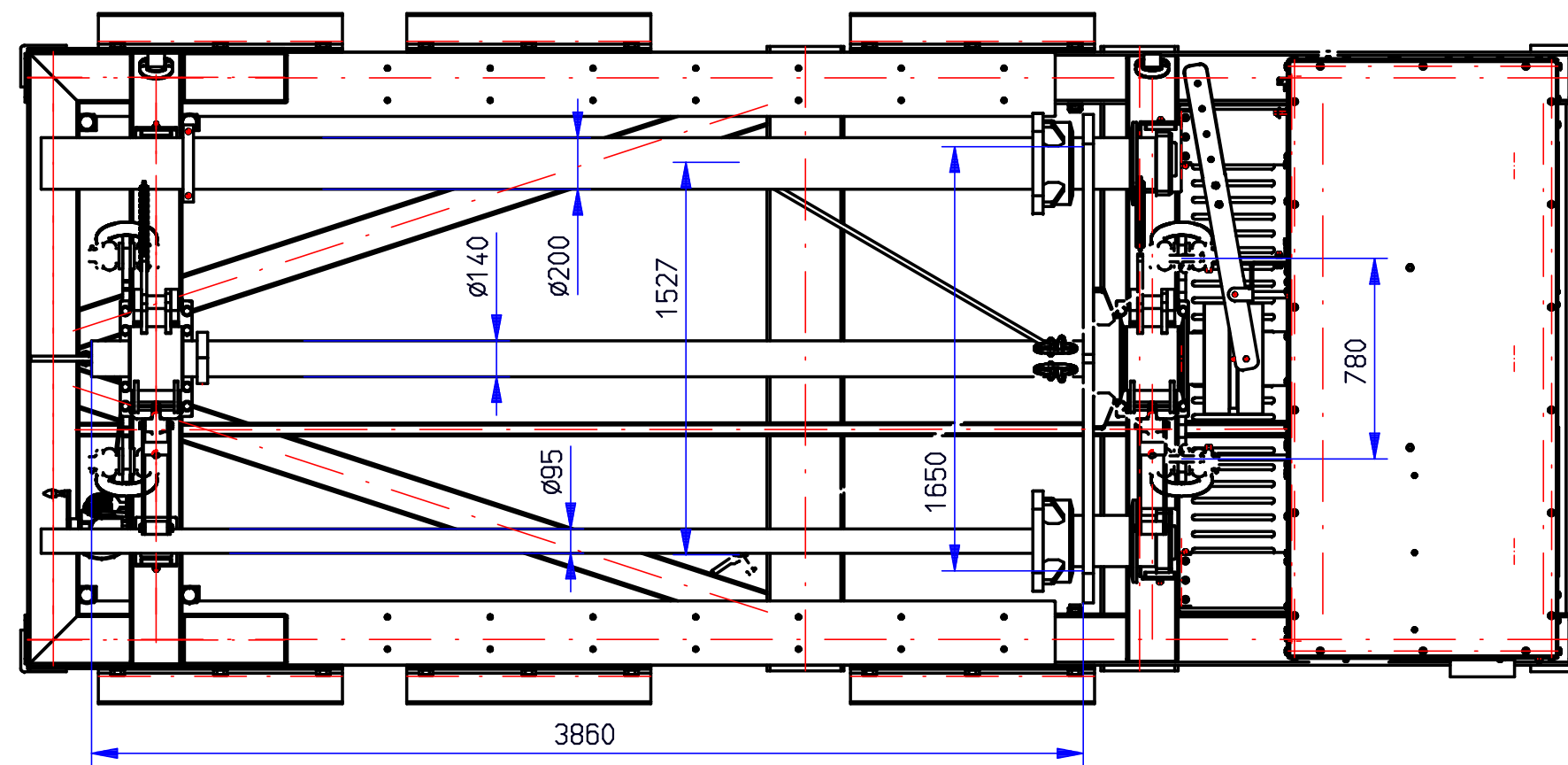
and logging. The system is provided with a movable second bearing point and bearings with quick-release mechanisms. The TEH60L is equipped with a layer detection system. This system continuously measures the working diameter, which is calculated in the control system. Through this the pre-tension will be the same on each layer.

### SPECIFICATIONS

Torque	75000 Nm
Revolutions	0-7,5 Rpm
Tension range	500 – 20.000 kg
Maximal reel weight	60 tonnes
Power	37 Kw
Gearbox	Planetary
Brake	Fail safe brake
Power supply	3-phase 380-480V 32-125A 50-60Hz
Own weight	Approx. 7800 kg



The delivered product might differ from the product and specifications as shown on this page. Misprints and typos may occur on this page. V20-02



- Before hoisting always:
1. couple main shaft to drive
  2. close and secure bearings
  3. lock moveable bearing point
  4. secure second/third shaft in storage
  5. remove or secure other loose parts

- Weight specifications:
- Complete machine excluding shafts : 5600 kg
  - Shaft  $\varnothing 95$ mm with features : 550 kg
  - Shaft  $\varnothing 140$ mm with features : 750 kg
  - Shaft  $\varnothing 200$ mm with features : 1150 kg

POS.NO	Qty.	ARTICLE or DESIGNATION	MATERIAL or DRAWING NO.	DIMENSIONS
		TWS bv Steenoven 13 3911 TX RHENEN The Netherlands	SCALE: 1:25 UNIT: mm DATE: 13.05.2020 DRAWN BY: GD	COMMENTS: 
DESIGNATION			DRAWING - REV.No	SIZE
TWS ELECTRIC SPOOLING WINCH 60mT			H19677	A2
Toleranties according to ISO 2768-mL, unless otherwise specified complete welding a = 0,5 x thinnest sheet +1 Copyright TWS bv - Notices to third parties is only allowed with written permission				