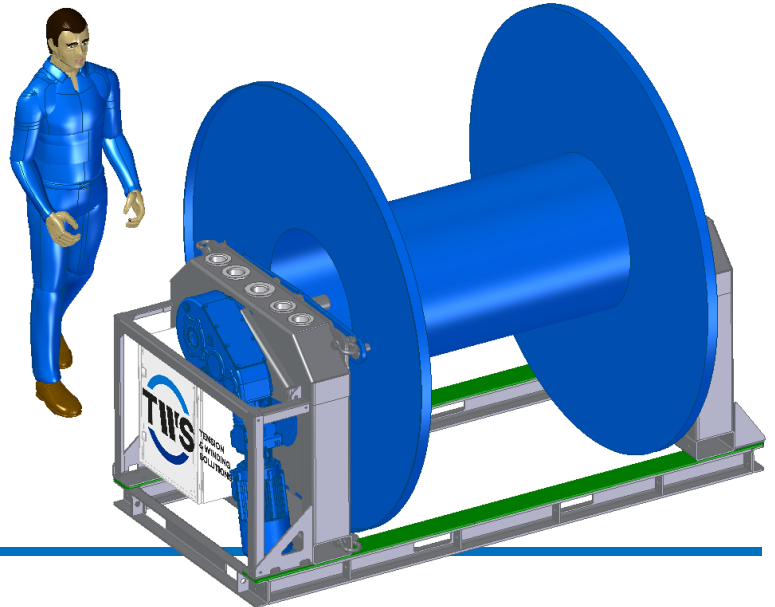


# TECHNICAL SPECIFICATIONS TEH8C

## DIMENSIONS (mm)

Length	2600
Width	1200
Height	1200
Flange diameter	Max 2000
Drum length	Max 1500
Shaft diameter	70

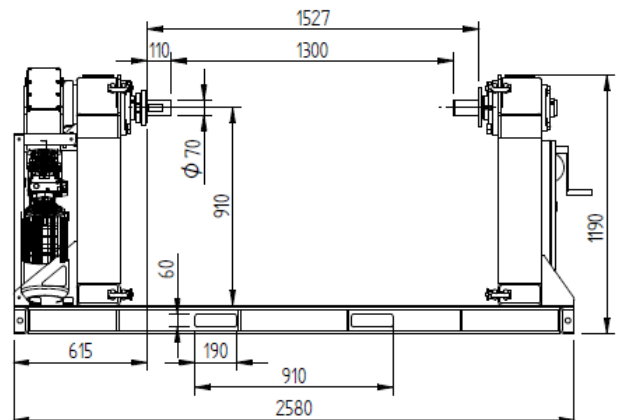
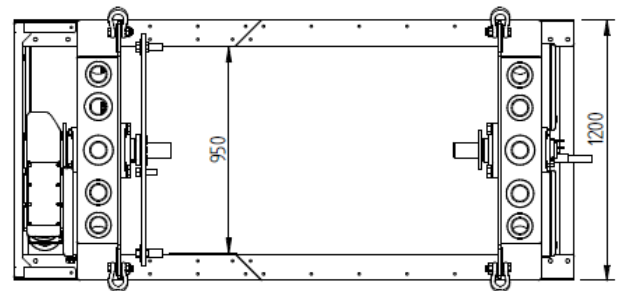
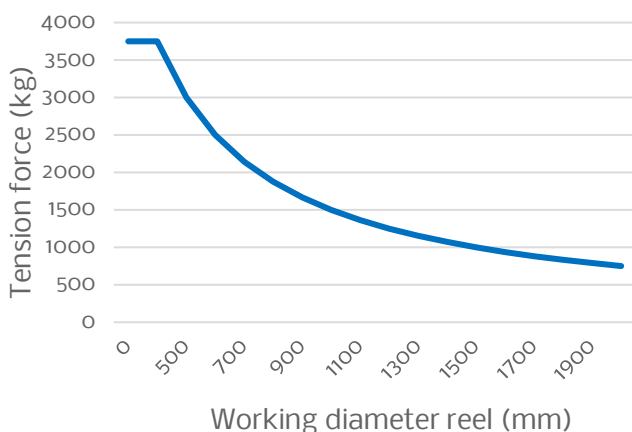


The TEH8C is an electric (wire) rope spooling machine that also allows winding with constant tension. This system is particularly suitable for interior use as it is electrically powered. The standard model has small overall dimensions. Provided with fork pockets and lifting points allow for easy movement of the system. This machine is

easy to operate using either the remote control in which all of the functions. The system is provided with a movable second bearing point. The TEH15C is equipped with a layer detection system. This system continuously measures the working diameter, which is calculated in the control system. Through this the pre-tension will be the same on each layer.

## SPECIFICATIONS

Torque	7000 Nm
Revolutions	0-12 Rpm
Maximal reel weight	8 tonnes
Power	5,5 Kw
Power supply	3-phase 380-480V 16-32A 50-60Hz
Own weight	Ca. 950 kg



The delivered product might differ from the product and specifications as shown on this page. Misprints and typos may occur on this page. V21-01