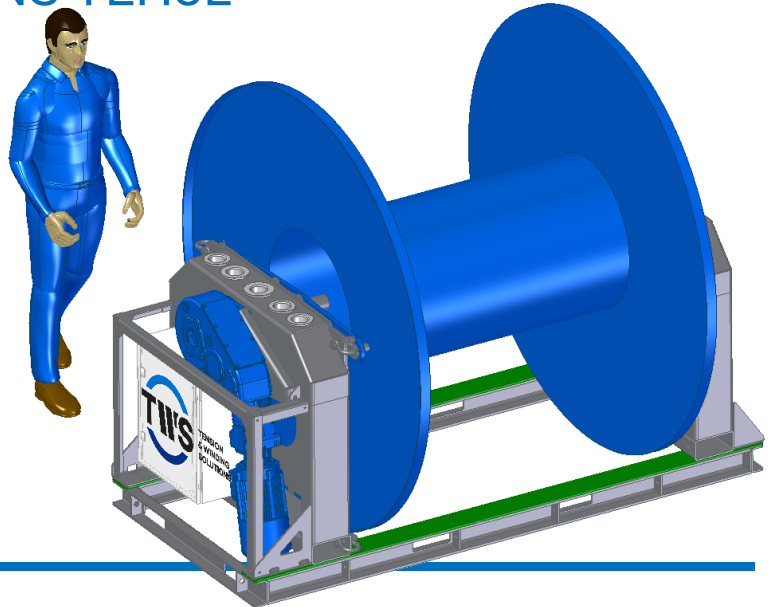


## TECHNICAL SPECIFICATIONS TEH8L

### DIMENSIONS (mm)

Length	3100
Width	1200
Height	1400
Flange diameter	Max 2200
Drum length	Max 1700 (1900)
Shaft diameter	70 – 130

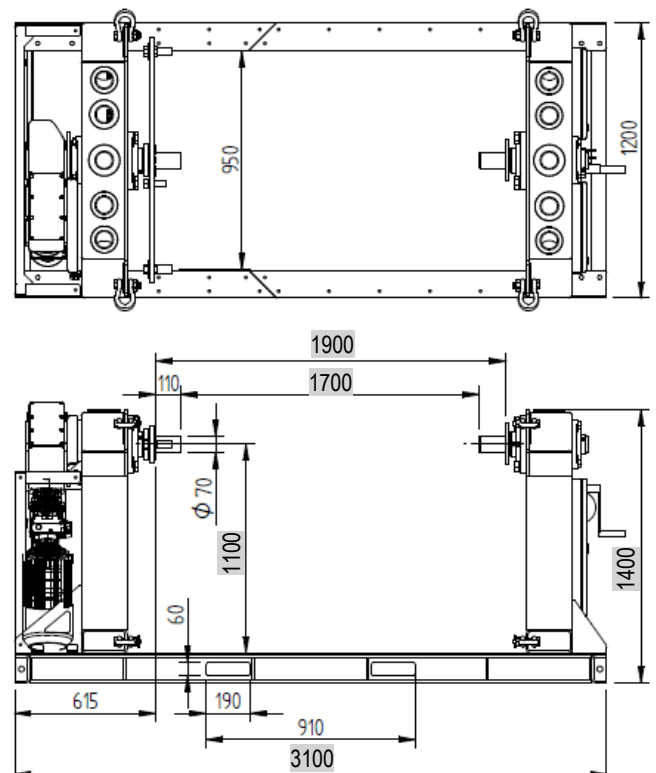


The TEH8L is an electric (wire) rope spooling machine that also allows winding with constant tension. This system is particularly suitable for interior use as it is electrically powered. The standard model has small overall dimensions.

Provided with fork pockets and lifting points allow for easy movement of the system. This machine is easy to operate with the remote control. The system is provided with a movable second bearing point.

### SPECIFICATIONS

Torque	7000 Nm
Revolutions	0-12 Rpm
Maximal reel weight	8 tonnes
Power	5,5 Kw
Power supply	3-phase 380-480V 16-32A 50-60Hz
Own weight	Ca. 1150 kg



The delivered product might differ from the product and specifications as shown on this page. Misprints and typos may occur on this page.

V24-01

