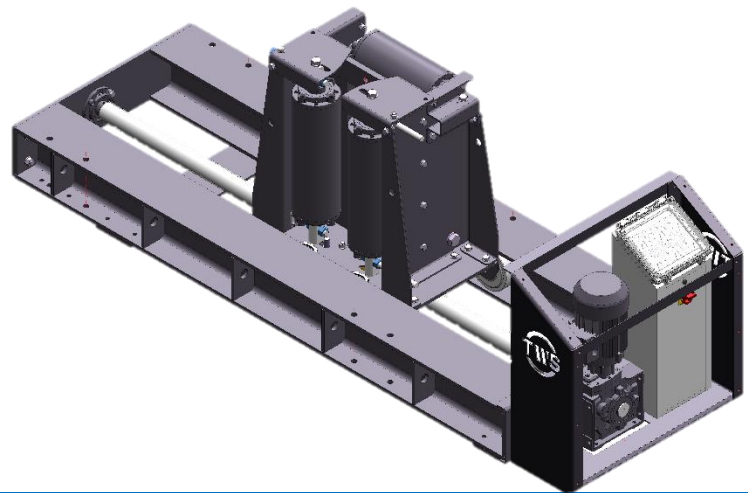


## TECHNICAL SPECIFICATIONS TEL5000

### DIMENSIONS (mm)

Length	3105
Width	990
Height	1083
Roller diameter	194



The TEL5000 is an electrically powered levelwinder which is compatible with any winch or spooler. Thanks to the intelligent control with readout for cable speed and length measurement, this level winder is suitable for cables Ø28 - Ø100mm and winch drums up to a width of 1750mm. With an extra addition we can go to a stroke of 4000mm. The level winder also remembers its position

even when the power supply fails. The level winder is suitable for (existing) winch arrangements with a short fleeting distance. Due to the solid structure of the level winder we can work a high shear force.

Many possibilities can be discussed, including tailor-made solutions.

### SPECIFICATIONS

Max shearforce rollers	5.000 kg
Line speed	1 - 110 m/min
Wire rope diameter	28 – 100 mm
Motor power	5,5 kW S1
Motor protection class	IP56
Power supply	3-Ph 380-480V 50-60Hz 16A
Weight without rope	Approx. 1460 kg

