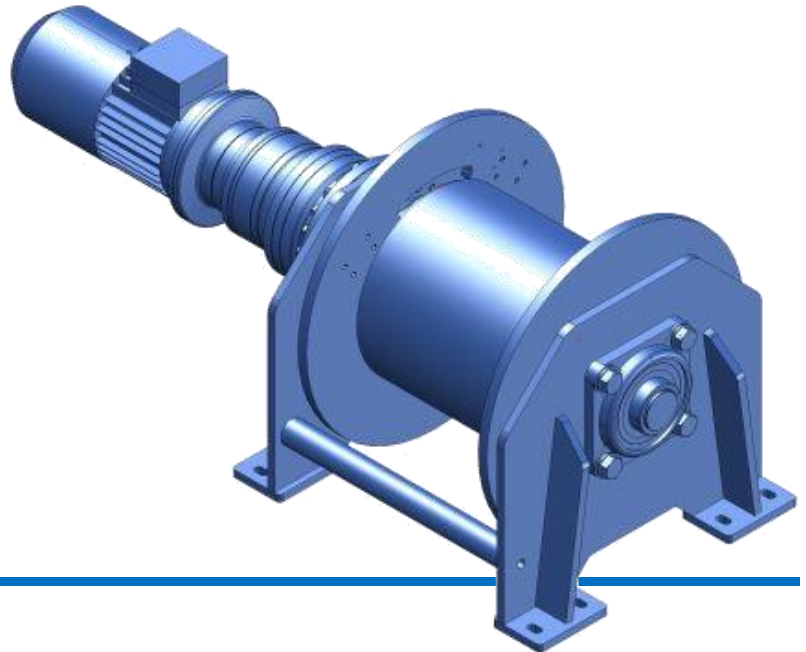


## TECHNICAL SPECIFICATIONS TEW10000

### DIMENSIONS (mm)

Length	1982
Width	900
Height	1000
Drum diameter	559
Flange diameter	900
Drum length	600



The TEW10000 is a compact electric hoisting with lifting points and fork pockets. The winch is provided with frequency control, overload protection and temperature monitoring as standard.

The WLL is 13000 kg when used as a pulling winch.

Many possibilities can be discussed, including tailor-made solutions.

### SPECIFICATIONS

Working load 1st layer	13.000 kg
Working load 4th layer	10.000 kg
Hauling	1 - 7 m/min
Wire rope diameter	28 mm
Rope storage on 6 layers	270 m
Motor power	11 kW
Motor protection class	IP56
Brake	Fail safe brake
Supply voltage	3-Ph 400 50Hz 32A
Length of safety windings	5,5 m
Weight without rope / options	Ca. 800 kg

