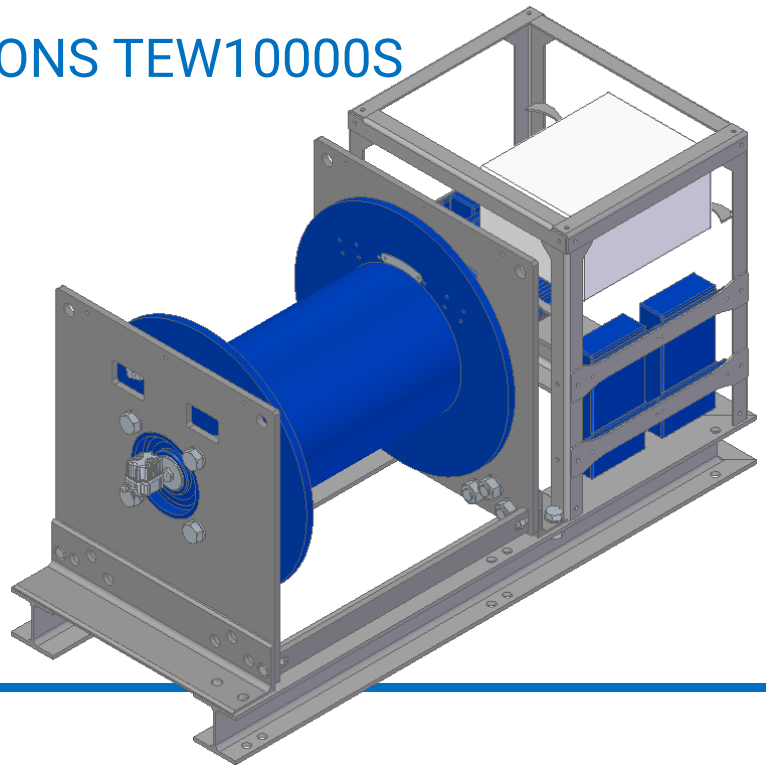


TECHNICAL SPECIFICATIONS TEW10000S

DIMENSIONS (mm)

| | |
|-----------------|------|
| Length | 2000 |
| Width | 900 |
| Height | 1100 |
| Drum diameter | 457 |
| Flange diameter | 820 |
| Drum length | 750 |



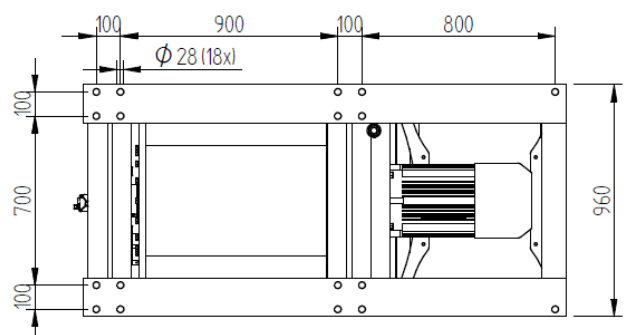
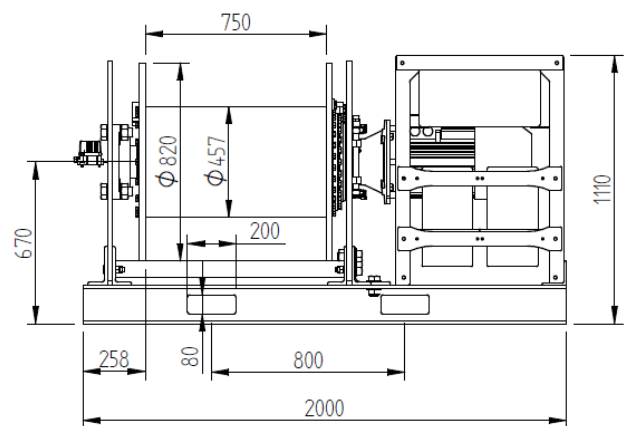
The TEW15000 is a compact electric hoisting. The winch is provided with frequency control, overload protection and temperature monitoring as standard.

The WLL is 14000 kg when used as a pulling winch.

Many possibilities can be discussed, including tailor-made solutions.

SPECIFICATIONS

| | |
|-------------------------------|-------------------|
| Working load 1st layer | 14.000 kg |
| Working load 3rd layer | 10.000 kg |
| Hauling | 7 m/min |
| Wire rope diameter | 28 mm |
| Rope storage on 6 layers | 316 m |
| Motor power | 15 kW |
| Motor protection class | IP55 |
| Brake | Fail safe brake |
| Supply voltage | 3-Ph 400 50Hz 32A |
| Length of safety windings | 4,6 m |
| Weight without rope / options | Ca. 1350 kg |



The delivered product might differ from the product and specifications as shown on this page. Misprints and typos may occur on this page. V22-01