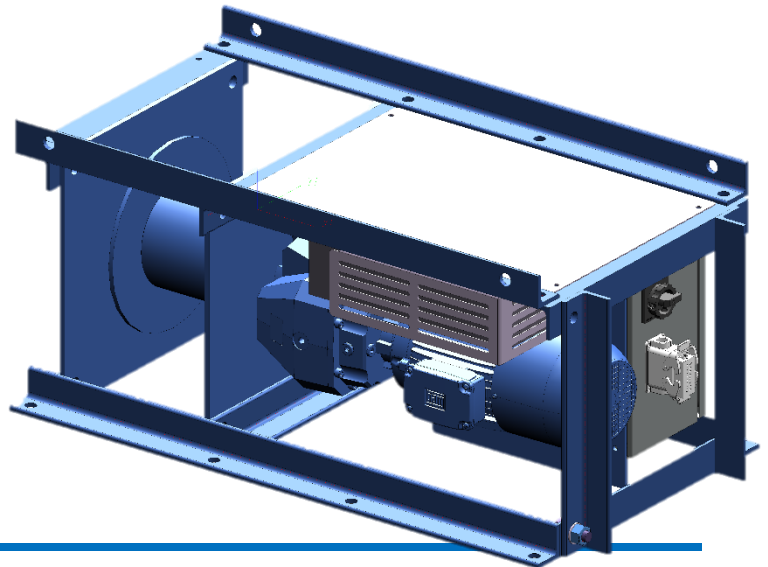


TECHNICAL SPECIFICATIONS TEW1500

DIMENSIONS (mm)

Length	1160
Width	622
Height	525
Drum diameter	180
Drum length	250
Flange diameter	340



The TEW1500 is an electrically powered hoisting winch in a heavy duty frame with fixture holes. Frequency drive control, overload protection and temperature monitoring are standard. Its wired remote control has a 8-metre-long cable

with an emergency stop and a potentiometer for variable speed control. Minimal power supply is 16Amps. Standard length powercable is 2,5mtr.

SPECIFICATIONS

Working load 1st layer	2.250 kg
Working load 5rd layer	1.500 kg
Hauling speed	2-12 m/min
Wire rope diameter	12 mm
Rope storage on 5 layers	71 m
Motor power	3,0 kW S3-60%
Motor protection class	IP56
Brake	Fail safe brake
Power supply	3-Ph 400V 50Hz 16-32A
Length of safety windings	1,8 m
Own weight	Approx. 280 kg

