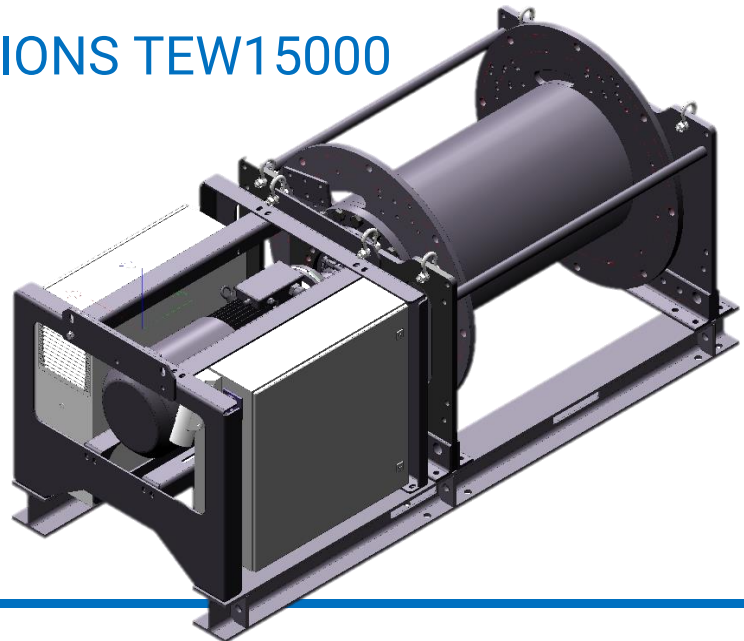


TECHNICAL SPECIFICATIONS TEW15000

DIMENSIONS (mm)

Length	2530
Width	1050
Height	1167
Drum diameter	559
Flange diameter	1000
Drum length	1000



The TEW15000 is a compact electric pull-in hoisting winch mounted on a solid frame equipped with hoisting points and fork pockets. This winch is provided with frequency drive, overload and temperature protection as standard. The WLL is 20.000 kg when used as a pulling winch.

Winch has an internal power limiter and is therefore extremely suitable for achieving pulling forces at offshore locations with a limited power supply. Many possibilities can be discussed, including tailor-made solutions.

SPECIFICATIONS

Working load 1st layer	20.000 kg
Working load 4th layer	15.000 – 17.000 kg
Hauling speed	1 - 9,7 m/min
Wire rope diameter	30 mm
Rope storage on 4 layers	350 m
Motor power	22 kW
Motor protection class	IP56
Brake	Fail safe brake
Supply voltage	3-Ph 380-480V 50-60Hz
Power supply	Variable 16 - 63A
Length of safety windings	5,6 m
Weight	1600 - 2360 kg

