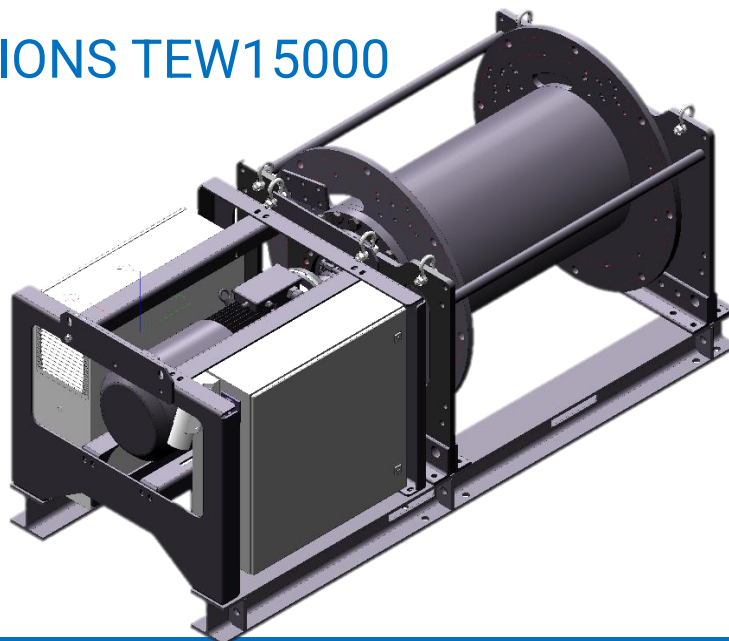


TECHNICAL SPECIFICATIONS TEW15000

DIMENSIONS (mm)

Length	2530
Width	1050
Height	1167
Drum diameter	559
Flange diameter	1000
Drum length	1000



The TEW15000 is a compact electric pull-in hoisting winch mounted on a solid frame equipped with hoisting points and fork pockets. This winch is provided with frequency drive, overload and temperature protection as standard. The WLL is 25.000 kg on 1st layer when used as a pulling winch.

Winch has an internal power limiter and is therefore extremely suitable for achieving pulling forces at offshore locations with a limited power supply. Many possibilities can be discussed, including tailor-made solutions.

SPECIFICATIONS

Working load 1st layer	20.000 kg
Working load 4th layer	15.000 – 17.000 kg
Hauling speed	1 - 9,7 m/min
Wire rope diameter	30 mm
Rope storage on 4 layers	350 m
Motor power	22 kW S1
Motor protection class	IP56
Brake	Fail safe brake
Supply voltage	3-Ph 380-480V 50-60Hz
Power supply	Variable 16 - 63A
Length of safety windings	5,6 m
Weight	1600 - 2360 kg

