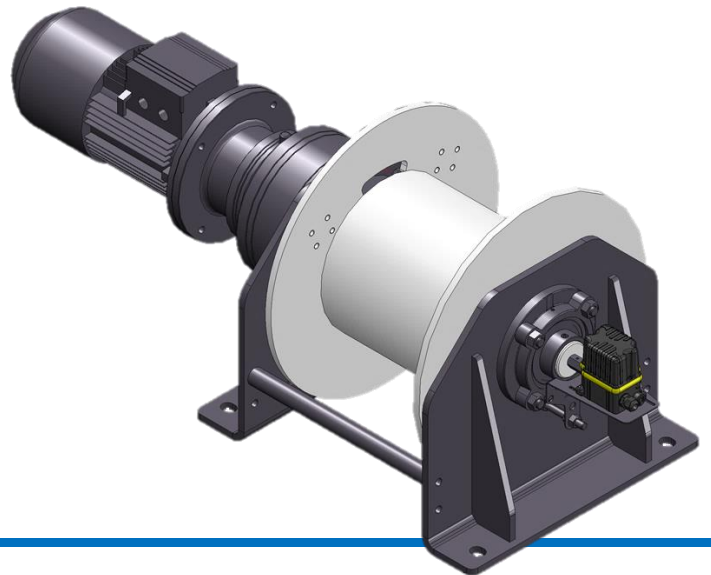


## TECHNICAL SPECIFICATIONS TEW3000

### DIMENSIONS (mm)

Length	1300
Width	485
Height	500
Drum diameter	270
Flange diameter	480
Drum length	300



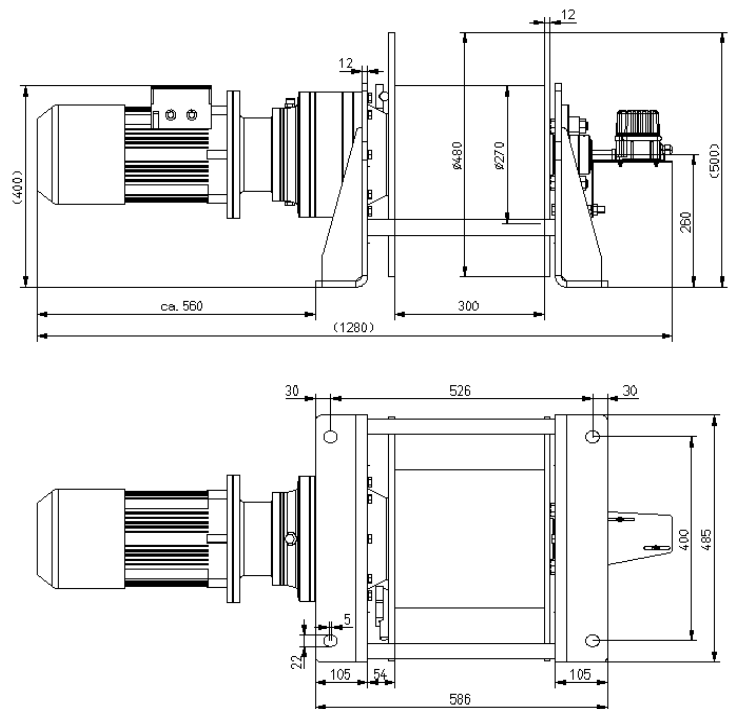
The TEW3000 is a compact electric hoisting winch. This winch is provided with relay control, overload and temperature protection as standard. If desired, frequency drive control can also be supplied. The adjustable stainless steel pressure roller ensures that the (wire) rope is wound

tighter around the drum. The WLL is 4200 kg when used as a pulling winch.

Many possibilities can be discussed, including tailor-made solutions.

### SPECIFICATIONS

Working load 1st layer	4.200 kg
Working load 5th layer	3.000 kg
Hauling speed 5th layer	10,4 m/min
Wire rope diameter	14 mm
Rope storage on 5 layers	106 m
Motor power	5,8 kW
Motor protection class	IP56
Brake	Fail safe brake
Supply voltage	3-Ph 400V 50Hz 16-32A
Length of safety windings	2,7 m
Weight without rope / options	Ca. 250 kg



The delivered product might differ from the product and specifications as shown on this page. Misprints and typos may occur on this page. V20-01