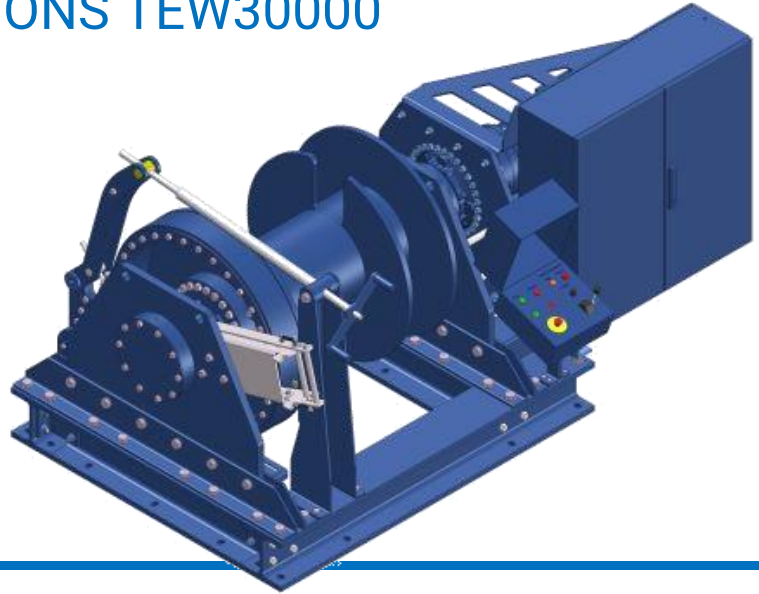


TECHNICAL SPECIFICATIONS TEW30000

DIMENSIONS (mm)

Length	3500
Width	2050
Height	1600
Drum diameter	505
Drum length	1000
Flange diameter	1100



The TEW30000 is an electrically powered mooring winch on a heavy duty frame with fixture holes. Frequency drive control, overload protection, temperature monitoring and standstill heating are standard.

The drum have a clutch for disconnecting the drum during the operation of the brake band. By using the band brake the loads can be lowered in a controlled and rapid manner. The maximum holding power of the winch on the band brake is

85.000 kg. The band brake can only be used for one direction.

The maximum electrical pulling force can be set with the torque potentiometer, maximum 30.000kg. When the pulling force in the wire rope reach the set point the winch stops rotating and keeps the pulling force in the wire rope.

DESIGN, FABRICATION AND FAT APPROVED BY DNV.

SPECIFICATIONS

Working load 1st layer	30.000 kg
Working load 5th layer	17.500 kg
Hauling speed	6,7 m/min
Wire rope diameter	36 mm
Rope storage on 8 layers	500 m
Motor power	45kW S2-10min
Motor protection class	56 TENV
Brake	Fail safe brake
Power supply	3-Ph 380-480V 50-60Hz 125A
Own weight	6.500 kg

