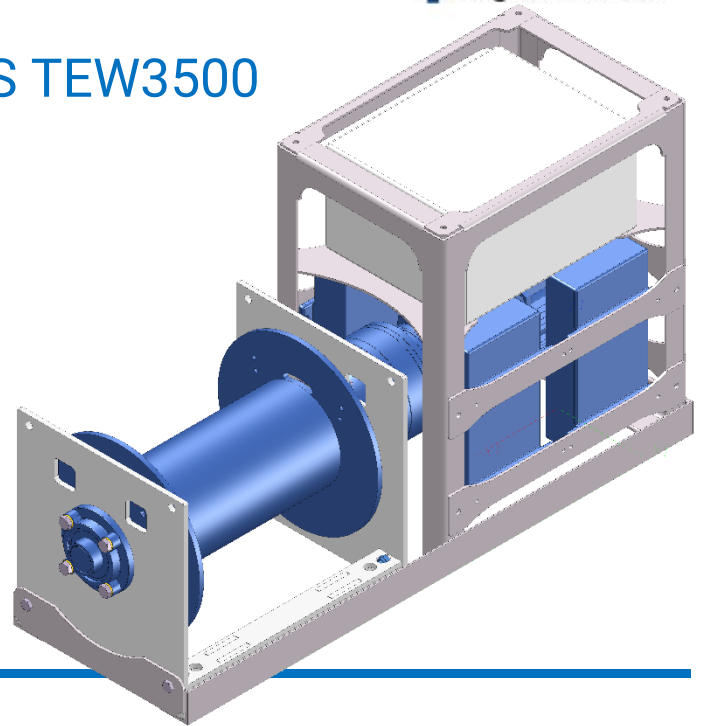


TECHNICAL SPECIFICATIONS TEW3500

DIMENSIONS (mm)

Length	1507
Width	500
Height	833
Drum diameter	245
Flange diameter	460
Drum length	500



The TEW3500 is a compact electric hoisting winch. This winch is provided with frequency control, overload and temperature protection as standard. The WLL is 4200 kg when used as a pulling winch.

Many possibilities can be discussed, including tailor-made solutions.

SPECIFICATIONS

Working load 1st layer	4.200 kg
Working load 5th layer	3.000 kg
Hauling speed 5th layer	11,7 m/min
Wire rope diameter	14 mm
Rope storage on 5 layers	165 m
Motor power	6,0 kW
Motor protection class	IP56
Brake	Fail safe brake
Supply voltage	3-Ph 400V 50Hz 16-32A
Length of safety windings	2,7 m
Weight without rope / options	Ca. 420 kg

