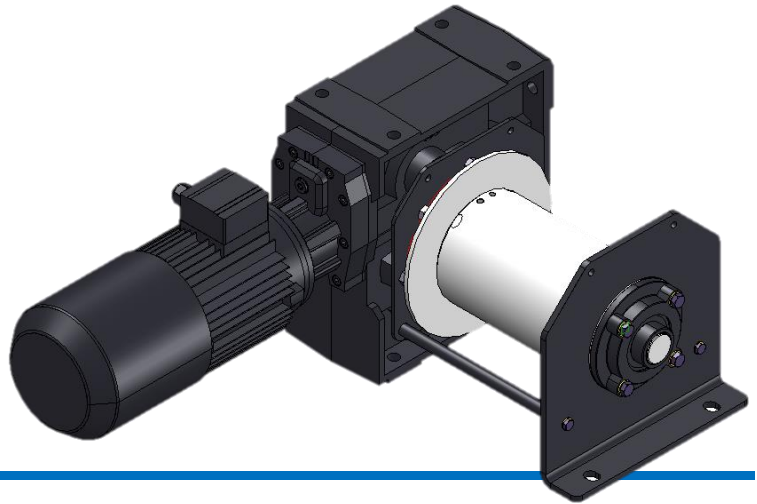


## TECHNICAL SPECIFICATIONS TEW990

### DIMENSIONS (mm)

Length	760
Width	510
Height	335
Drum diameter	150
Flange diameter	240
Drum length	240

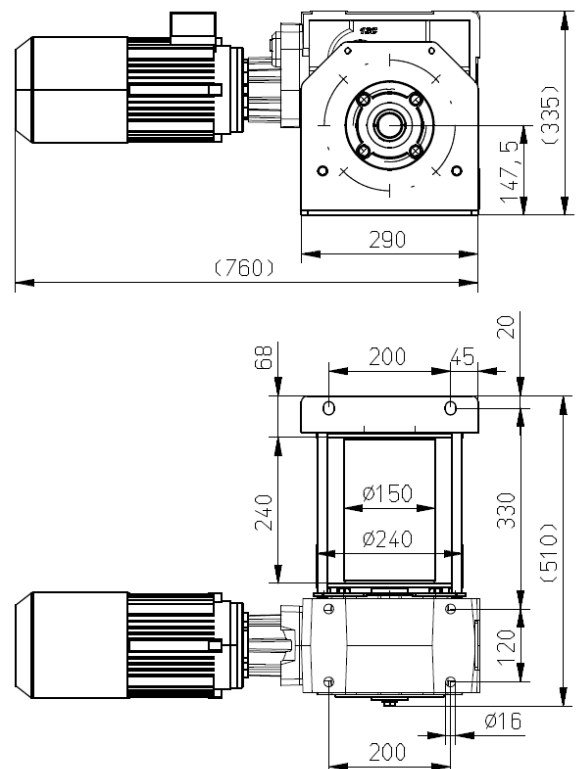


The TEW990 is a compact electrically powered winch. Winch is equipped with frequency drive control, and temperature monitoring. Its control box has a 10-metre-

long cable for electrical supply, an emergency stop and a potentiometer for speed control.

### SPECIFICATIONS

Working load 1st layer	1090 kg
Working load 2nd layer	990 kg
Line speed	2-6 m/min
Wire rope diameter	8 mm
Rope storage on 5 layers	86 m
Motor power	1,1 kW S3-60%
Motor protection class	IP55
Brake	Fail safe brake
Supply voltage	1-Ph 230V 50Hz 16A
Length of safety windings	1,5 m
Weight without rope / options	ca. 120 kg



The delivered product might differ from the product and specifications as shown on this page. Misprints and typos may occur on this page. V21-01