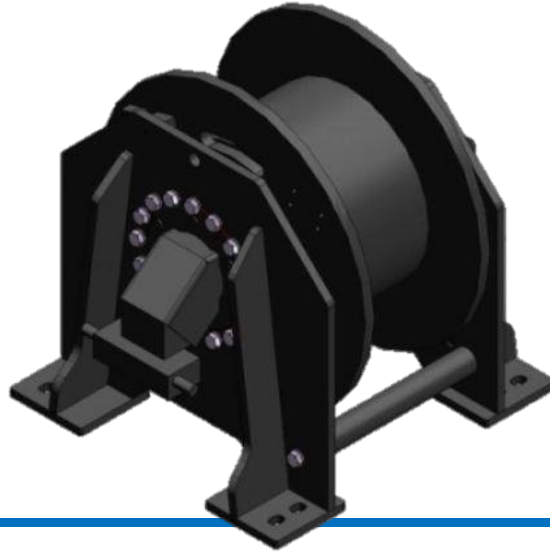


TECHNICAL SPECIFICATIONS THW12000

DIMENSIONS (mm)

Length	785
Width	820
Height	800
Drum diameter	457
Flange diameter	750
Drum length	300



The THW12000 is a very compact and robust hydraulic tugging winch with fixture holes in the feet of the frame. A failsafe brake is a standard feature.

SPECIFICATIONS

Working load on layer 1	12000 kg
Hauling speed	20 m/min
Diameter wire rope	24 mm
Wire rope storage (5 layers)	100 m
Flow	130 ltr/min
Start pressure (Delta P)	270 bar
Operation pressure (Delta P)	252 bar
Motortype	MSI63
Brake	Fail safe brake
Length safety windings	4,5 m
Weight without wire rope	ca. 650 kg

