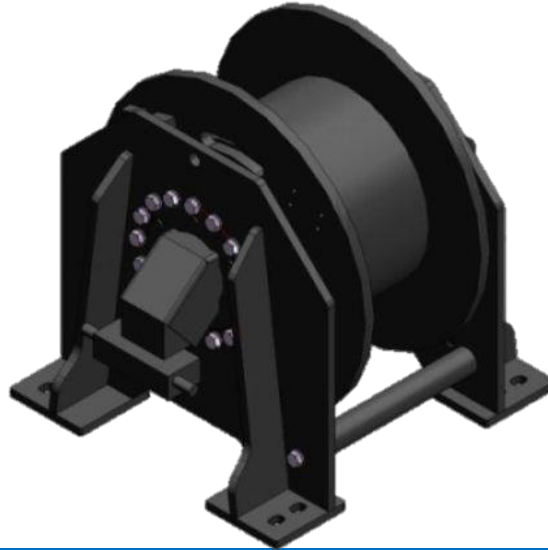


## TECHNICAL SPECIFICATIONS THW12000

### DIMENSIONS (mm)

Length	785
Width	820
Height	800
Drum diameter	457
Flange diameter	750
Drum length	300



The THW12000 is a very compact and robust hydraulic tugger winch with fixture holes in the feet of the frame. A failsafe brake is a standard feature.

### SPECIFICATIONS

Working load on layer 1	12000 kg
Hauling speed	20 m/min
Diameter wire rope	24 mm
Wire rope storage (5 layers)	100 m
Flow	130 ltr/min
Start pressure (Delta P)	270 bar
Operation pressure (Delta P)	252 bar
Motortype	MSI63
Brake	Fail safe brake
Length safety windings	4,5 m
Weight without wire rope	ca. 650 kg

The delivered product might differ from the product and specifications as shown on this page. Misprints and typos may occur on this page. V21-01

